
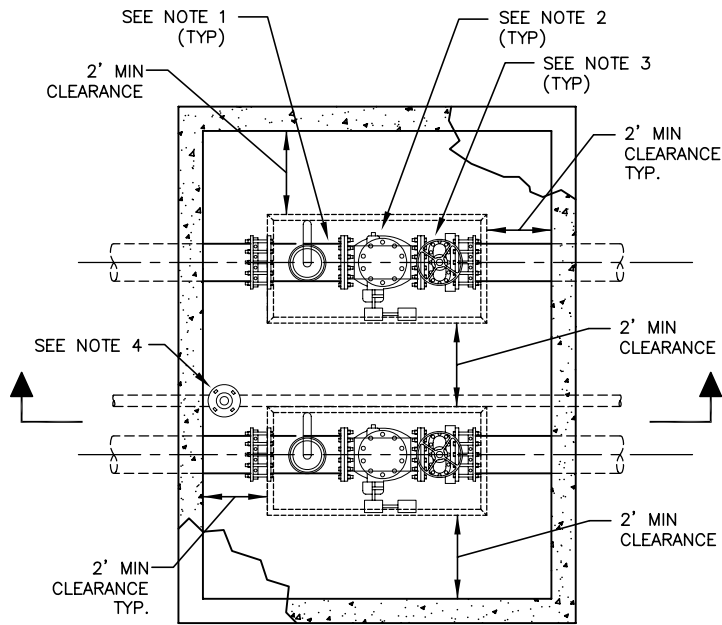


⌀ WET WELL
PLAN VIEW

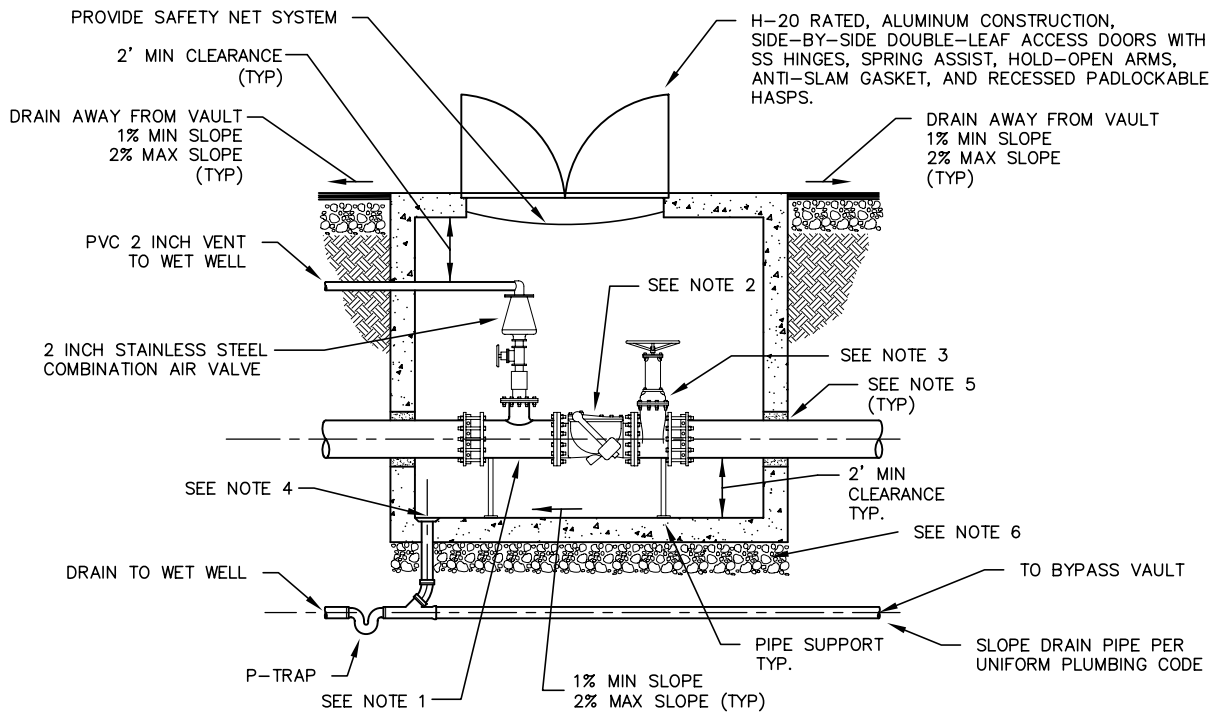
NOTES:

1. PLACE INLET SEWER PIPE SO THAT PIPE IS TANGENTIAL TO WET WELL WALL.
2. REFER TO DRAWING 6C-20 FOR SECTION A-A.

 SACRAMENTO AREA SEWER DISTRICT	
CIRCULAR WET WELL	
DRAWN BY: PL SCALE: NONE DATE: 1/08	6M-20



PLAN VIEW



SECTION

NOTES:

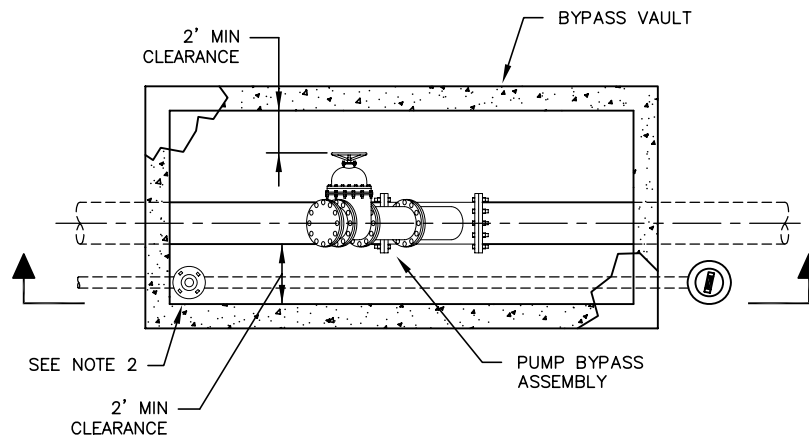
1. AWWA C110 REDUCING TEE, FLGxFLGxFLG
2. AWWA C508 FLGxFLG SWING CHECK VALVE WITH LEVER AND COUNTERWEIGHT
3. AWWA C500 FLGxFLG DOUBLE DISC GATE VALVE WITH NRS AND HANDWHEEL
4. 3 INCH ϕ ABS DRAIN, LENGTH AS REQUIRED
5. PIPE PENETRATIONS SHALL BE BORED OR BLOCKED OUT AND SEALED WITH LINK-SEAL OR APPROVED EQUAL. OPENINGS SHALL BE ADDITIONALLY REINFORCED PER STRUCTURAL DRAWINGS.
6. AB THICKNESS SHALL BE PER GEOTECHNICAL RECOMMENDATION.



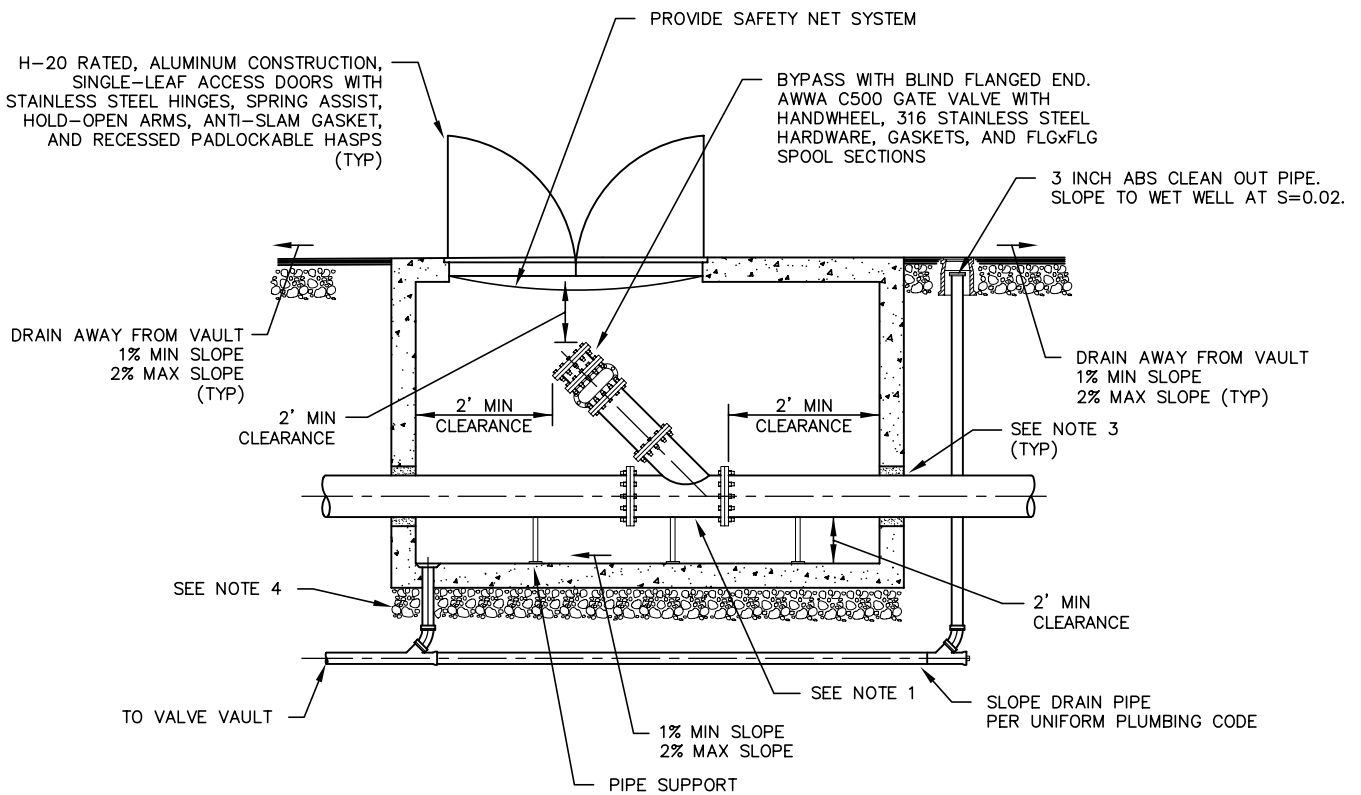
VALVE VAULT

DRAWN BY: PL
SCALE: NONE
DATE: 1/08

6M-30



PLAN VIEW



SECTION

NOTES:

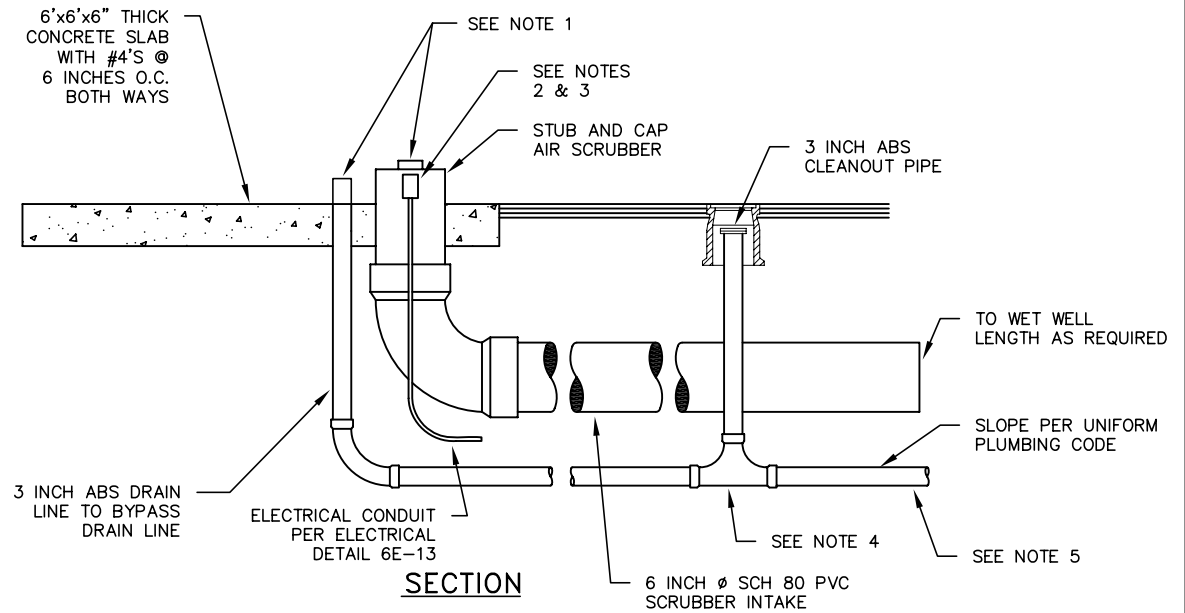
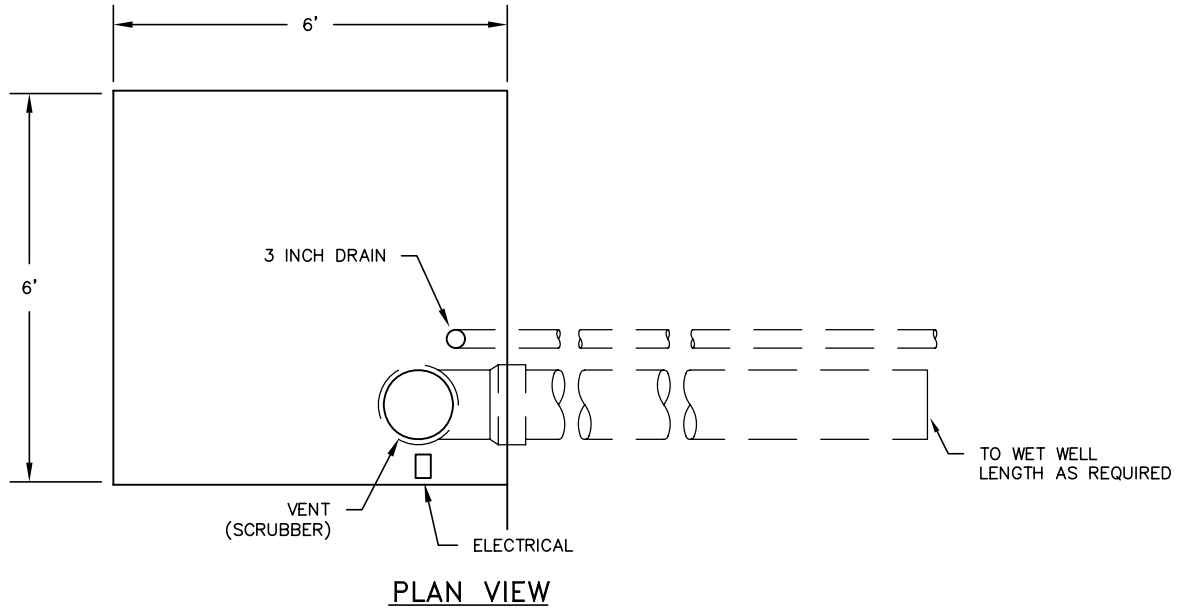
1. AWWA C110 REDUCING WYE, FLGxFLGxFLG
2. 3 INCH Ø ABS DRAIN, LENGTH AS REQUIRED
3. NOTED PIPE PENETRATIONS SHALL BE BORED OR BLOCKED OUT AND SEALED WITH LINK SEAL OR APPROVED EQUAL. OPENINGS SHALL BE ADDITIONALLY REINFORCED PER STRUCTURAL DRAWINGS
4. AB THICKNESS SHALL BE PER GEOTECHNICAL RECOMMENDATION.



BYPASS VAULT

DRAWN BY: PL
SCALE: NONE
DATE: 1/08

6M-40



NOTES:

1. STUB 6 INCH ABOVE FINAL GRADE.
2. STUB ELECTRICAL CONDUIT 1' ABOVE PAD.
3. PROVIDE PULL ROPE IN CONDUIT.
4. CLEANOUT TEE, TWO WAY ABS HUB.
5. CONNECT TO BYPASS DRAIN LINE.

 SACRAMENTO AREA SEWER DISTRICT	
ODOR CONTROL PAD	
DRAWN BY: PL SCALE: NONE DATE: 1/08	6M-50